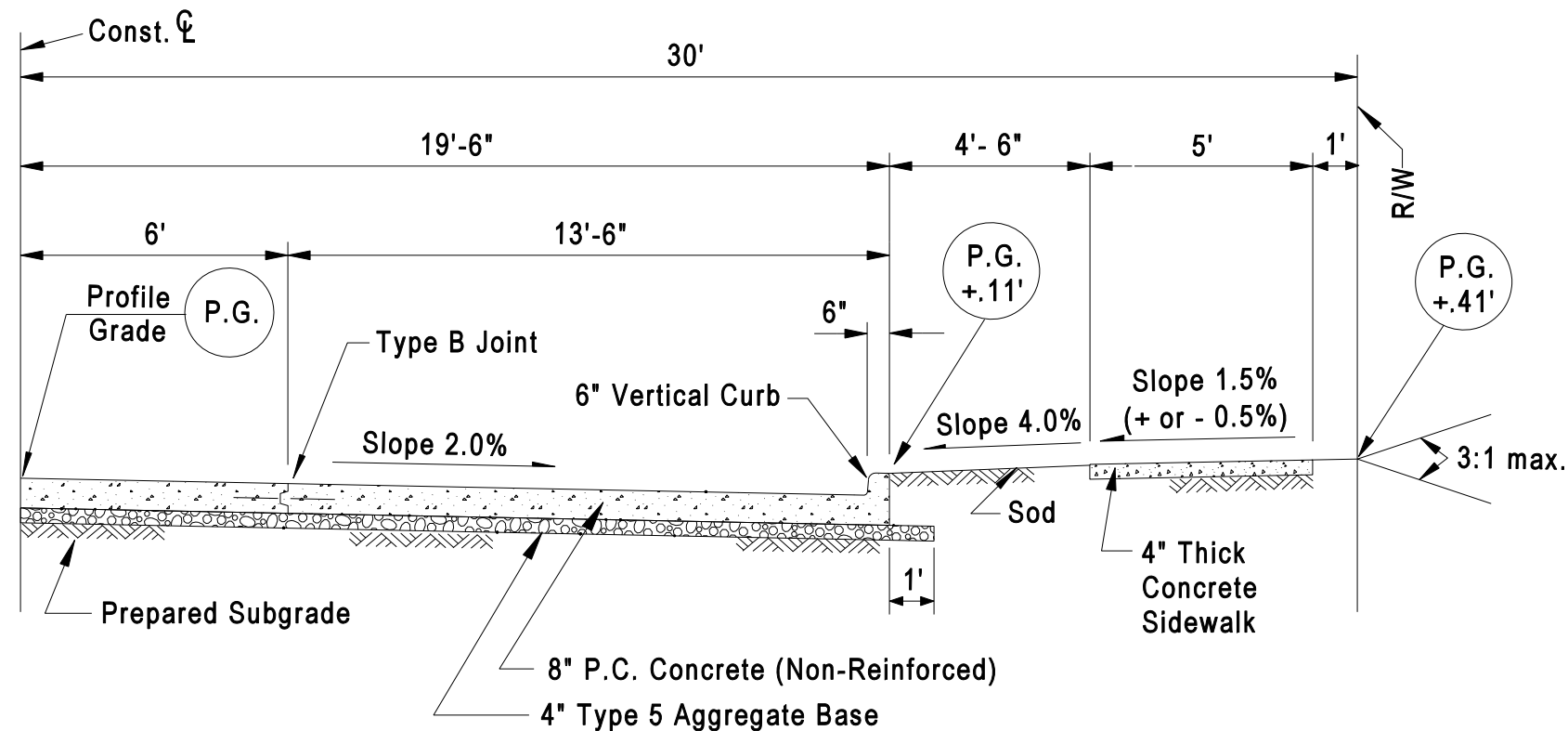
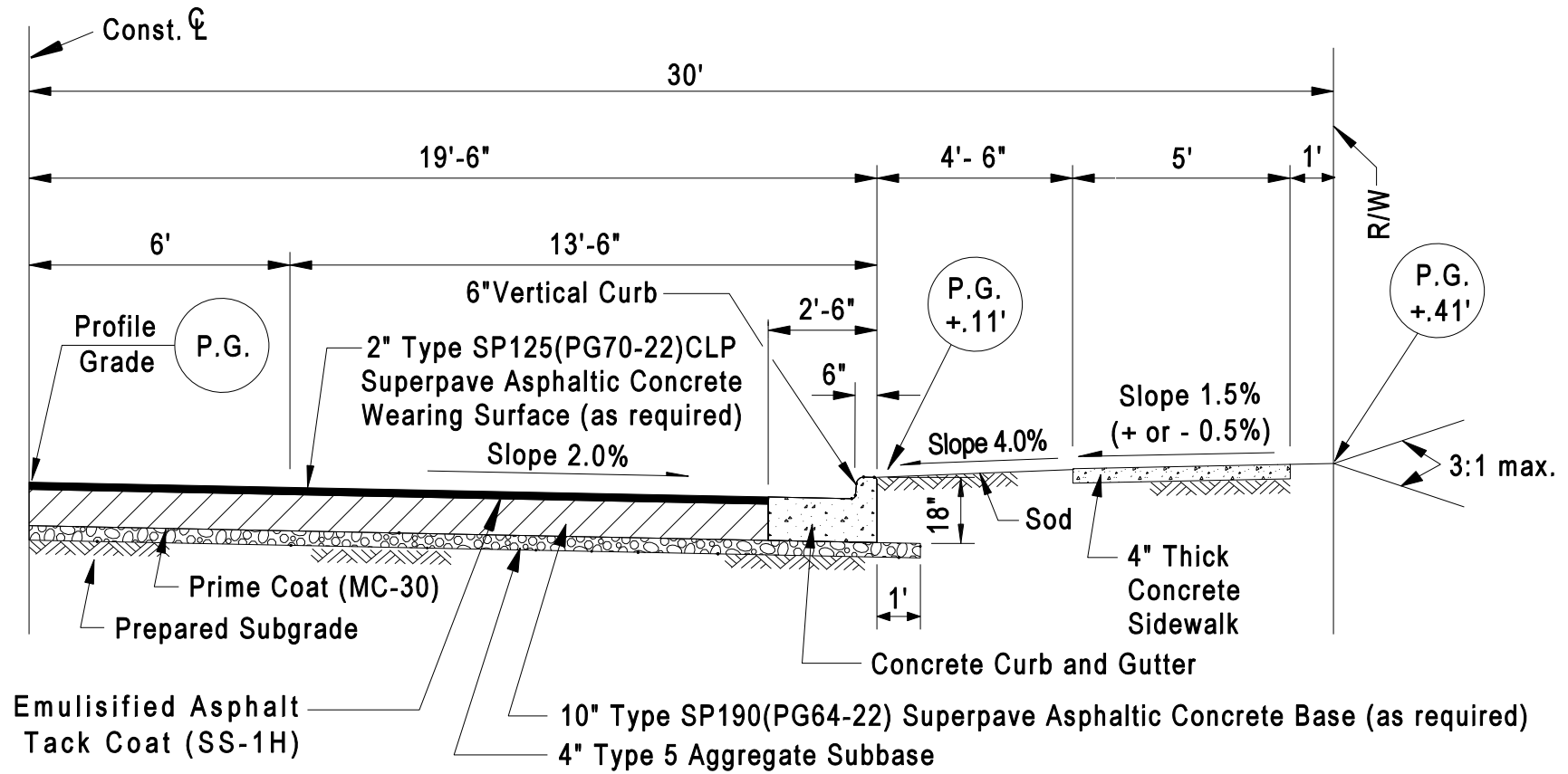


NEW	REVISIONS			
7-19-94	11-2-98	7-1-04	7-31-07	3-1-10



TYPE 1



TYPE 2

GENERAL NOTES

1. Do not scale drawings, follow dimensions.
2. Sections are symmetrical about construction centerline.
3. For longitudinal and transverse joints, dowel and tie bars requirements and curb dimensions refer to the Pavement Construction Details for "Joints and Curbs", Std. Dwg. C502.03.
4. All necessary pavement markings shall be as required by Saint Louis County. For details refer to "Guidelines for Pavement Markings and Lane Striping", Std. Dwg. C902.10.
5. Sidewalk thickness increases to 6" at Residential Driveways and 7" at Commercial Driveways. See "Entrance Construction Details".
6. Additional pavement thickness, reinforcement and/or base is required for heavy vehicular usage or high traffic volumes.
7. Sections shown may not apply at intersections.
8. The types of jointing to be used in construction of the pavement shall be decided in the field by the Engineer. The transverse and longitudinal joints shall conform to the County Specifications for the construction method used by the Contractor.

SAINT LOUIS COUNTY
DEPARTMENT OF HIGHWAYS AND TRAFFIC
CLAYTON, MISSOURI

STANDARD TYPICAL SECTION
ARTERIAL ROAD
(60' R/W - 39' PVMT.)

REVISION DATE: March 1, 2010

DRAWING
C203.61