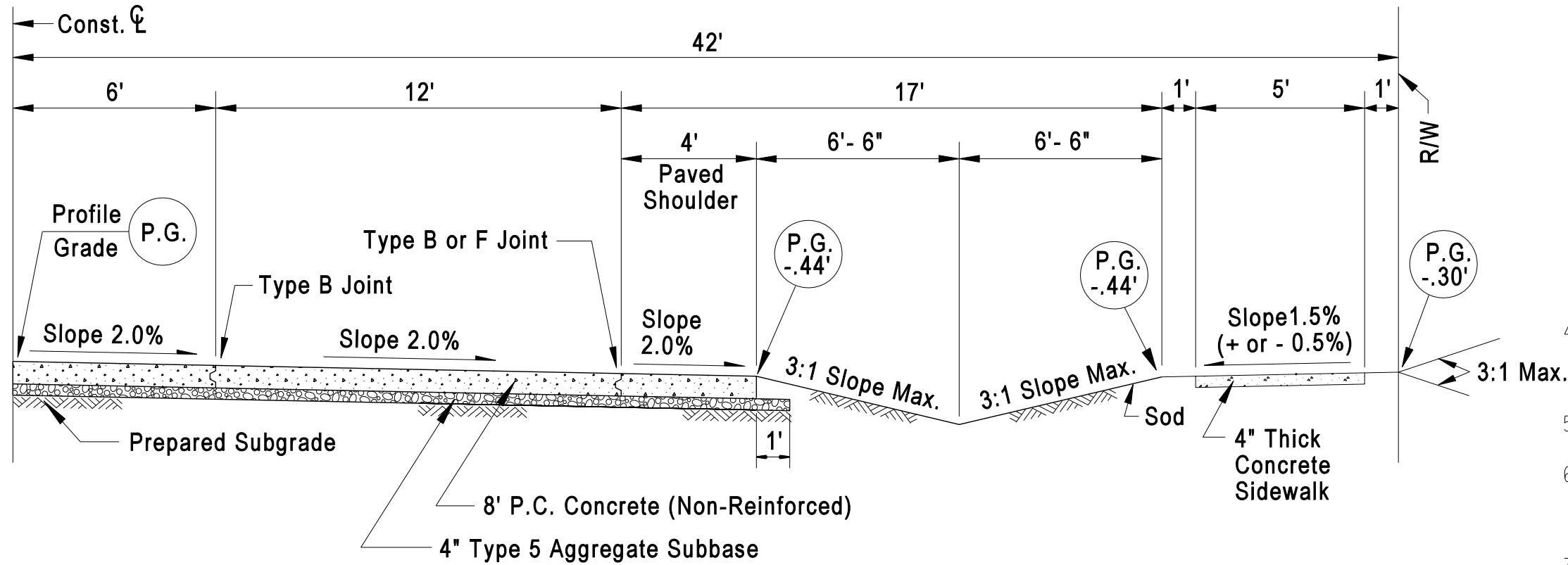
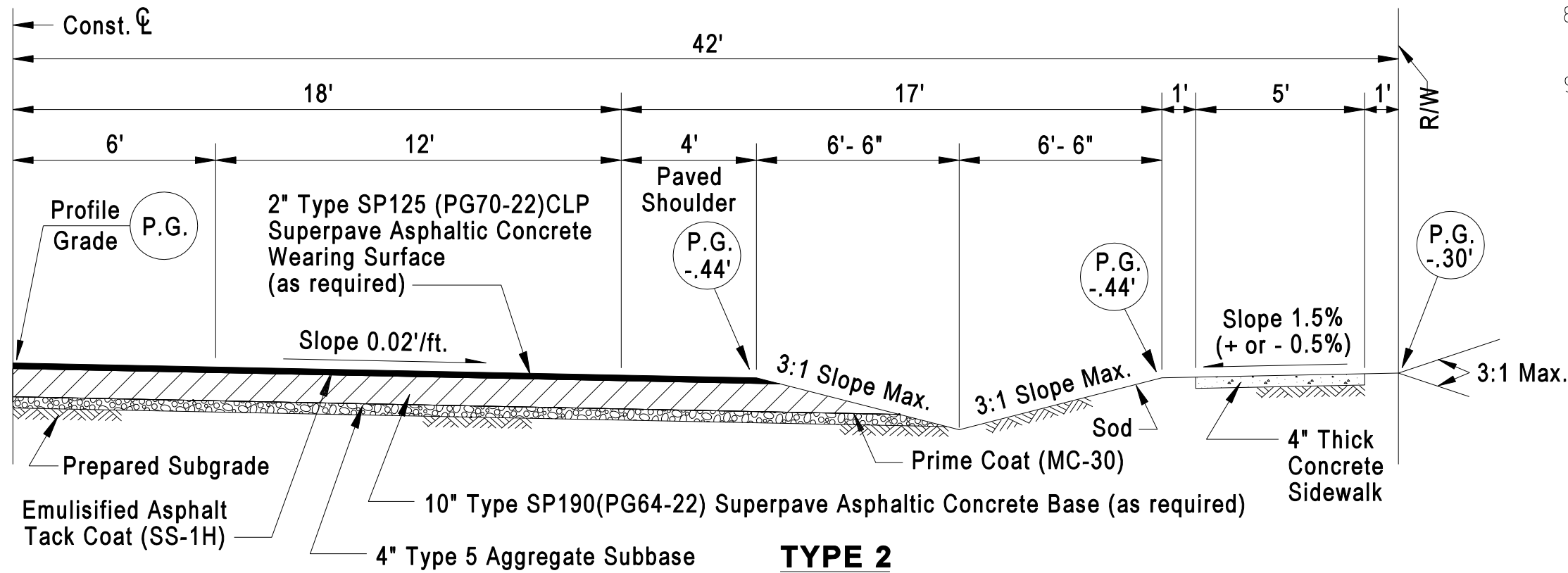


NEW	REVISIONS			
1-11-90	11-2-98	7-1-04	7-31-07	3-1-10



TYPE 1



TYPE 2

GENERAL NOTES

1. Do not scale drawing, follow dimensions.
2. Sections are symmetrical about construction centerline.
3. Utilization of existing pavement required in Type 1 section subject to core sample confirmation of pavement adequacy. For substandard pavements, Profile Grade will be established from the finished surface of pavement overlay as required by the Department of Highways and Traffic.
4. All necessary pavement markings shall be as required by Saint Louis County. For details refer to "Guidelines for Pavement Markings and Lane Striping", Std. Dwg. C902.10.
5. Sections shown may not apply at intersections.
6. Sidewalk thickness increases to 6" at Residential Driveways and to 7" at Commercial Driveways. See "Entrance Construction Details".
7. Additional pavement thickness, reinforcement and/or base is required for heavy vehicular usage or high traffic volumes.
8. For details of grate Inlet in ditch refer to the Sewer Construction Details for "Grate Inlet in Ditch", Std. Dwg. C604.33.
9. This road improvement configuration illustrates initial/interim construction only. For ultimate roadway requirements refer to Std. Dwg. C203.64.

SAINT LOUIS COUNTY DEPARTMENT OF HIGHWAYS AND TRAFFIC CLAYTON, MISSOURI	
STANDARD TYPICAL SECTION ARTERIAL ROAD (84' R/W - 36' PVMT.)	
REVISION DATE: <u>March 1, 2010</u>	DRAWING C203.65