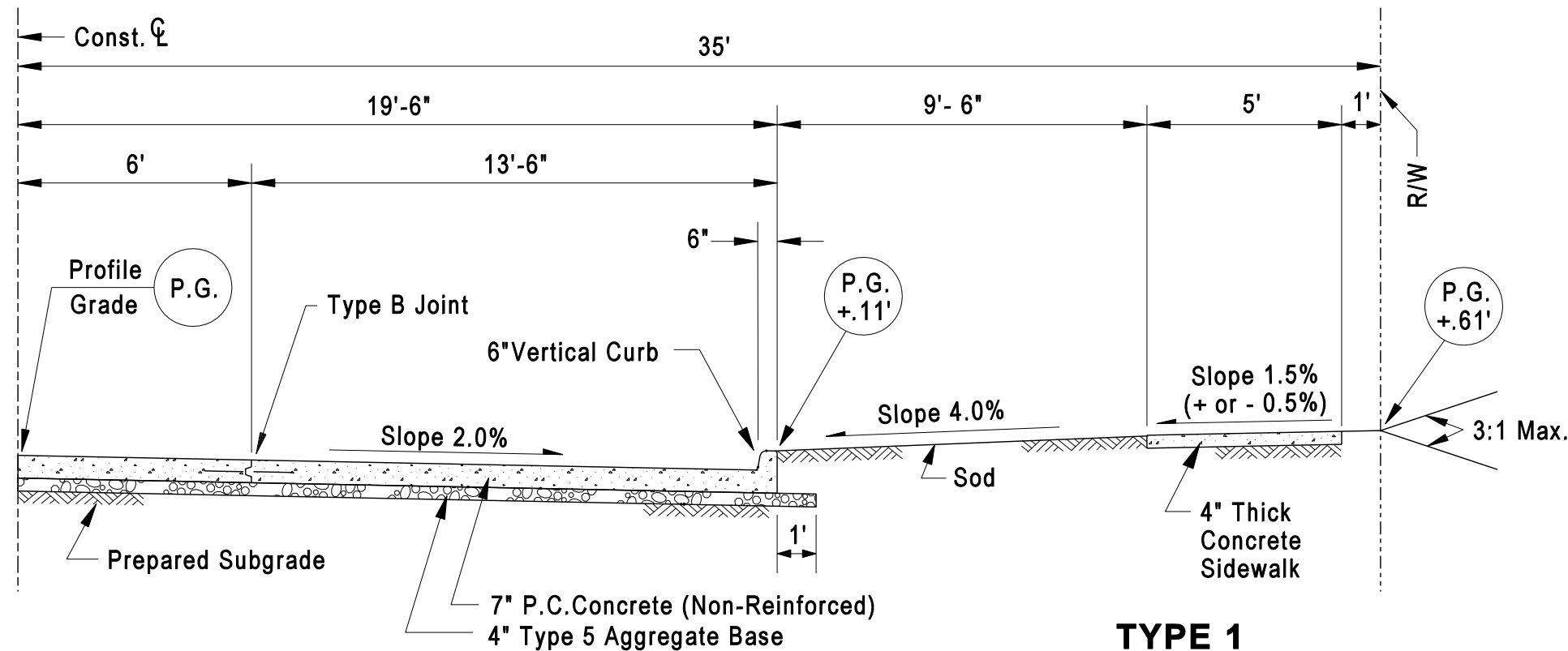


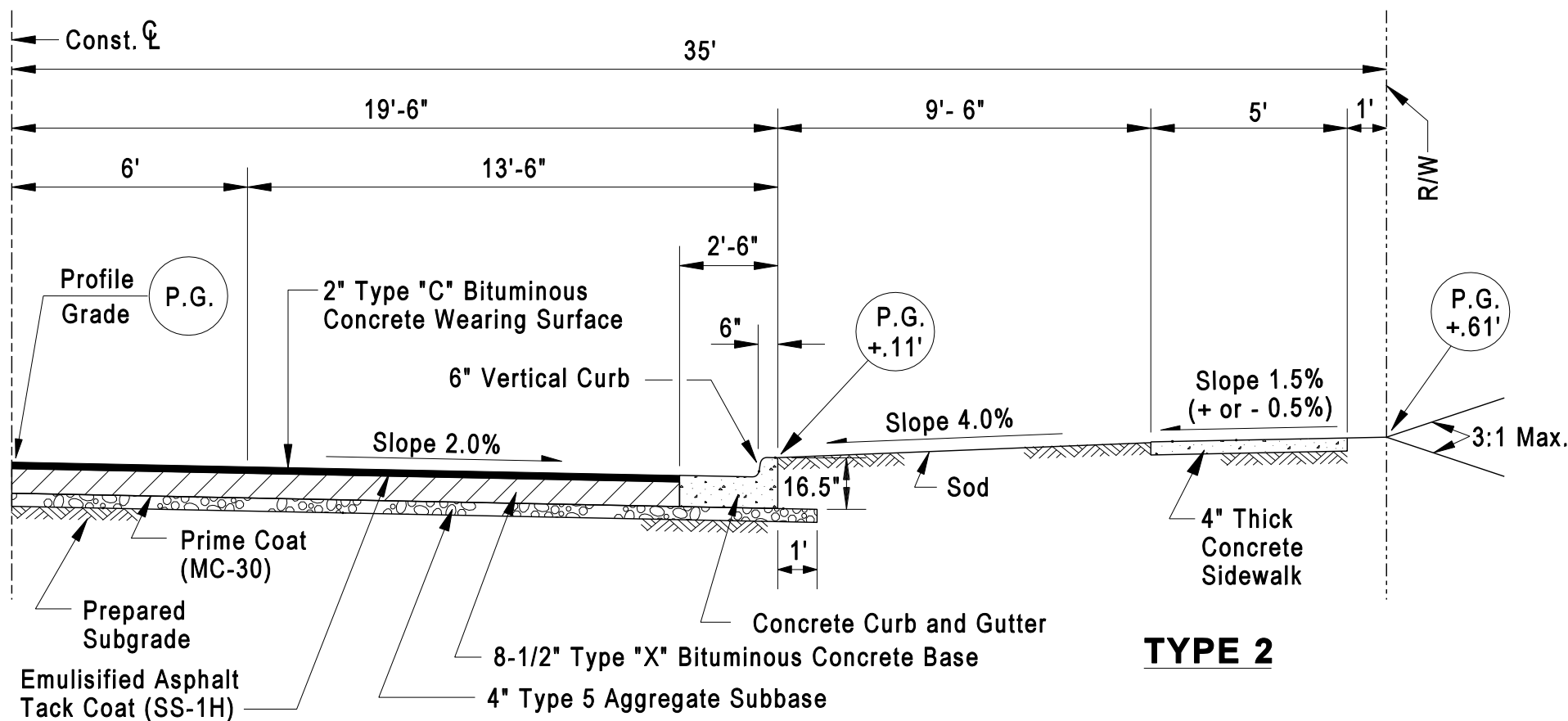
NEW	REVISIONS			
1-11-90	11-2-98	7-1-04	7-31-07	1-1-10

ST. LOUIS COUNTY PROJ.

SHEET NUMBER	TOTAL SHEETS



**TYPE 1**



**TYPE 2**

**GENERAL NOTES**

- 1) Do not scale drawing, follow dimensions.
- 2) Sections are symmetrical about construction centerline.
- 3) For longitudinal and transverse joints, dowel and tie bar requirements and curb dimensions refer to the Pavement Construction Details for "Joints and Curbs", Std. Dwg. C502.03.
- 4) All necessary pavement markings shall be as required by Saint Louis County. For details refer to "Guidelines for Pavement Markings and Lane Striping", Std. Dwg. C902.10.
- 5) Sidewalk thickness increases to 6" at Residential Driveways and to 7" at Commercial Driveways. See "Entrance Construction Details".
- 6) Additional pavement thickness, reinforcement and/or base is required for heavy vehicular usage or high traffic volumes.
- 7) Sections shown may not apply at intersections.
- 8) Type "C" Asphaltic Concrete is to be used in lieu of Type "C" Bituminous Concrete when directed by the Department or when specified in the County Contract.
- 9) The types of jointing to be used in construction of the pavement shall be decided in the field by the Engineer. Transverse and longitudinal joints shall conform to the County Specifications for the construction method being used by the Contractor.

SAINT LOUIS COUNTY  
DEPARTMENT OF HIGHWAYS AND TRAFFIC  
CLAYTON, MISSOURI

STANDARD TYPICAL SECTION  
**COUNTY ROAD**  
**(70' R/W - 39' PVMT.)**

REVISION DATE: January 1, 2010

DRAWING  
C203.72