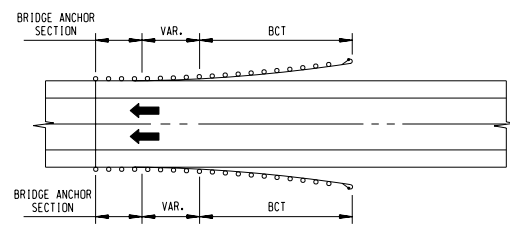
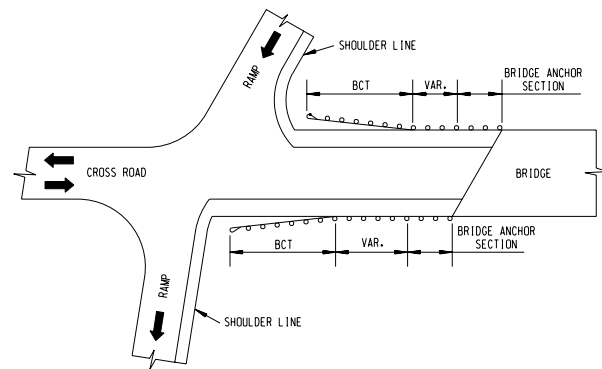


NEW	REVISIONS
5-25-94	7-31-07

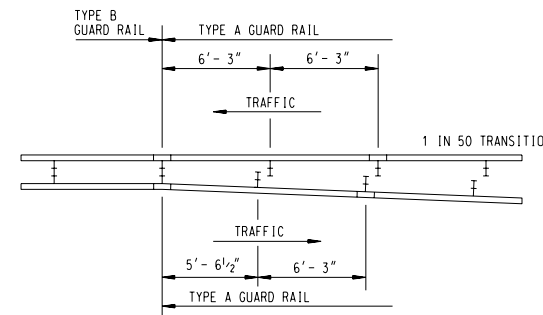
ST. LOUIS COUNTY PROJ.	
SHEET NUMBER	TOTAL SHEETS



TWO-WAY PAVEMENT - USE GUARDRAIL AT ALL FOUR CORNERS, AT BRIDGE ENDS

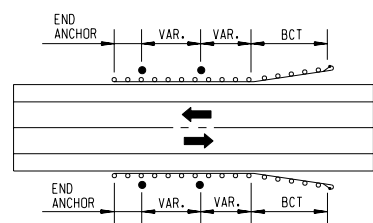


BRIDGE ENDS GUARDRAIL LOCATION AT INTERCHANGE

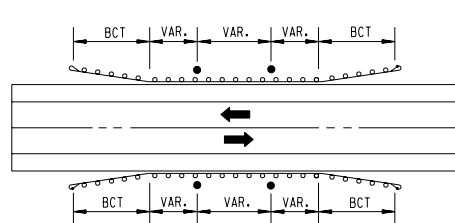


DETAIL FOR TRANSITIONING BETWEEN TYPE A AND TYPE B GUARD RAIL

- GENERAL NOTES**
- Do not scale drawing. Follow dimensions.
 - The details shown are adapted from the Missouri Department of Transportation Standard Drawings.
 - The minimum length of the "Length of Need" shall be 25 feet.



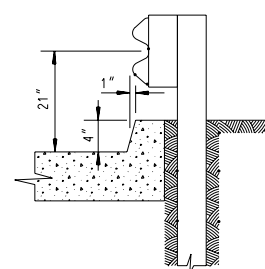
DIVIDED PAVEMENT (SHOULDER INSTALLATION)



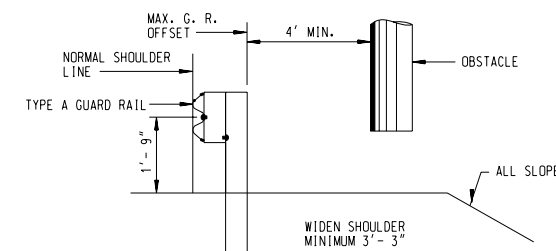
TWO-WAY PAVEMENT (SHOULDER INSTALLATION)

(FOR MULTIPLE OBSTACLES - SPECIFY VAR. IN 12'-6" INCREMENTS)

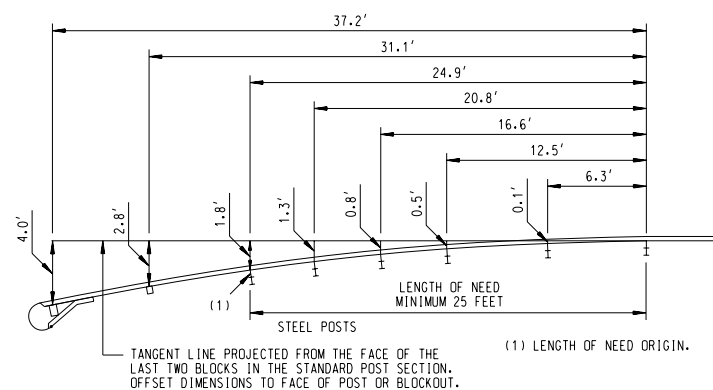
AT OBSTACLES



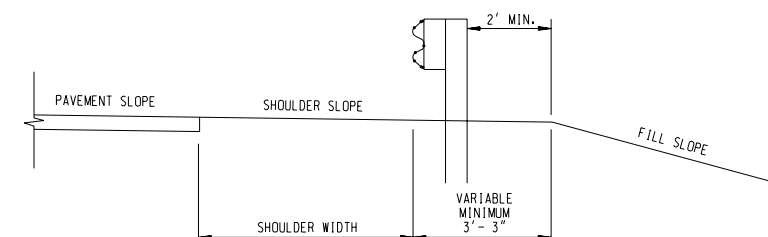
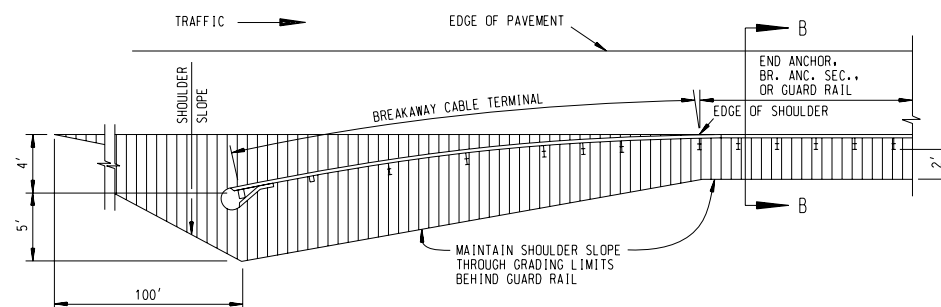
GUARDRAIL AT BARRIER CURBS



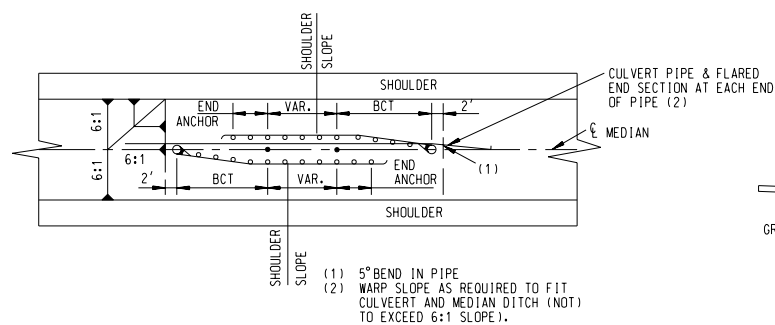
LATERAL PLACEMENT OF GUARDRAIL FOR SHOULDER INSTALLATION (LOCATION OTHER THAN Q MEDIAN)



BREAKAWAY CABLE TERMINAL (BCT) AND GRADING LAYOUT

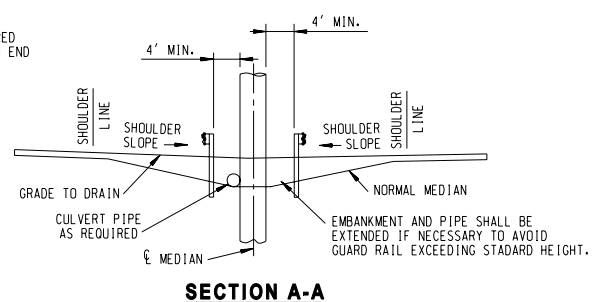


SECTION B-B

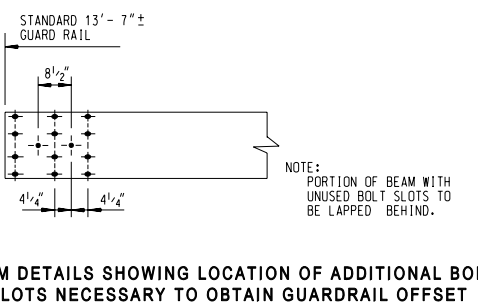


(FOR MULTIPLE ODTACLES - SPECIFY VAR. IN 12'- 6" INCREMENTS)

PIER AT Q OF MEDIAN



SECTION A-A



BEAM DETAILS SHOWING LOCATION OF ADDITIONAL BOLT SLOTS NECESSARY TO OBTAIN GUARDRAIL OFFSET

LEGEND

- GUARD RAIL
- OBSTACLE

SAINT LOUIS COUNTY
DEPARTMENT OF HIGHWAYS AND TRAFFIC
CLAYTON, MISSOURI

**GUARDRAIL CONSTRUCTION DETAILS
TYPICAL LOCATIONS**

REVISION DATE: July 31, 2007

DRAWING
C606.01