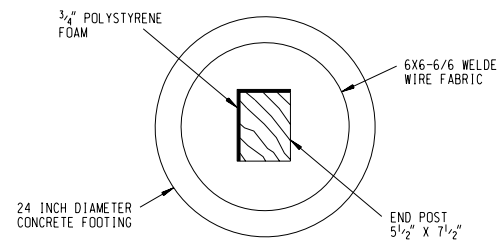
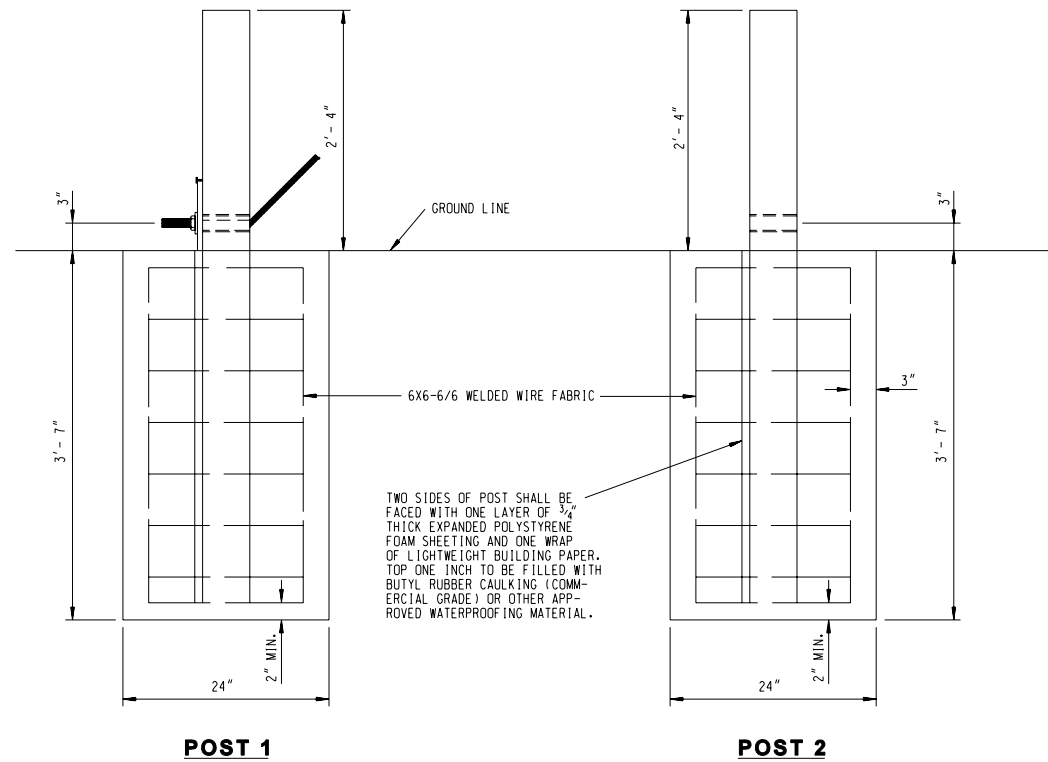


NEW	REVISIONS
5-25-94	7-31-07

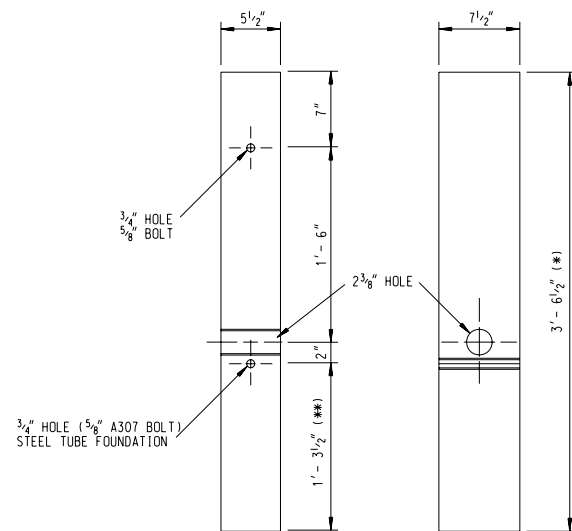
ST. LOUIS COUNTY PROJ.

SHEET NUMBER	TOTAL SHEETS



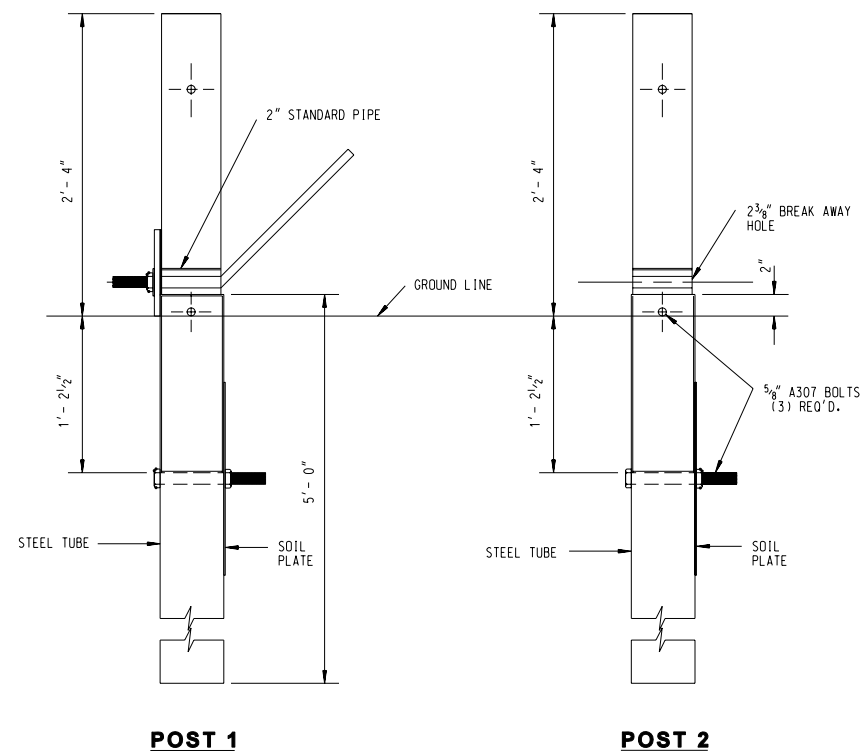
CONCRETE FOUNDATION

EXPANDED POLYSTYRENE FOAM INSTALLATION DETAIL



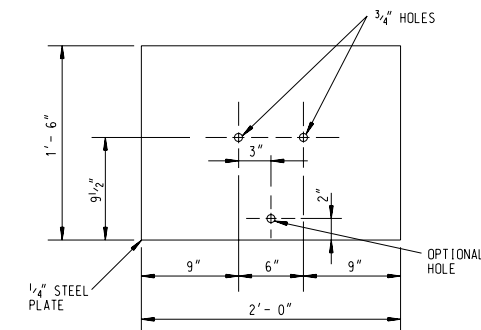
(*) 5'-9 1/2" FOR CONCRETE FOUNDATION ALTERNATE.
(**) 3'-6 1/2" FOR CONCRETE FOUNDATION ALTERNATE.

WOOD BREAKAWAY POST
(SEE SEC. 1050)

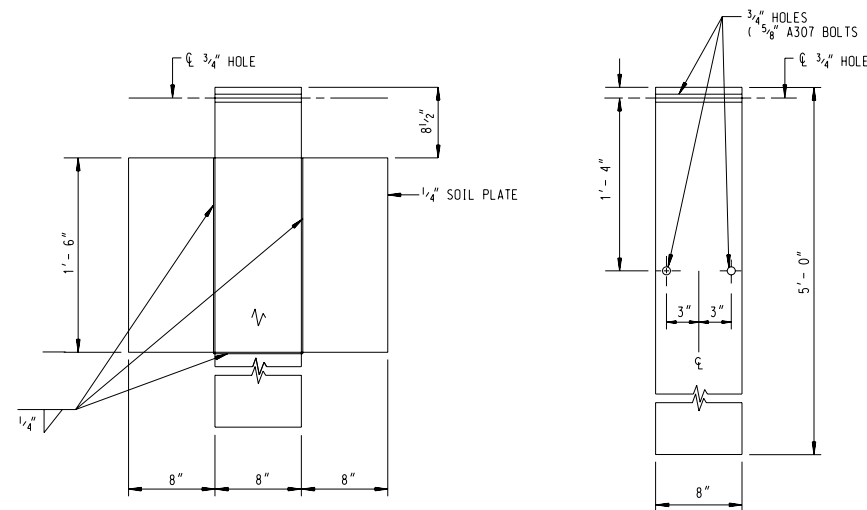


STEEL TUBE FOUNDATION

NOTE: STEEL TUBES AND SOIL PLATES SHALL BE GALVANIZED, IN ACCORDANCE WITH THE REQUIREMENTS OF AASHTO M111. BOLTS AND NUTS SHALL BE GALVANIZED IN ACCORDANCE WITH THE REQUIREMENTS OF AASHTO M232 CLASS C.



SOIL PLATE



SHOP WELDED SOIL PLATE CONNECTION

STEEL TUBE

STEEL TUBE FOUNDATION

GENERAL NOTES

1. Do not scale drawing. Follow dimensions.
2. The details shown are adapted from the Missouri Department of Transportation Standard Drawings.
3. The contractor has the option to install wood post 1 and 2 in steel tube or concrete foundation.
4. Trimming of wood post may be necessary for steel tube foundation.
5. Steel tube foundations shall be drilled and back-filled with a suitable material when the soil plate is bolted, as shown, to the steel tube. Steel tube foundation may be driven when the soil plate is welded, as shown, to the steel tube.

SAINT LOUIS COUNTY
DEPARTMENT OF HIGHWAYS AND TRAFFIC
CLAYTON, MISSOURI

GUARDRAIL CONSTRUCTION DETAILS

GUARDRAIL

REVISION DATE: July 31, 2007

DRAWING
C606.05