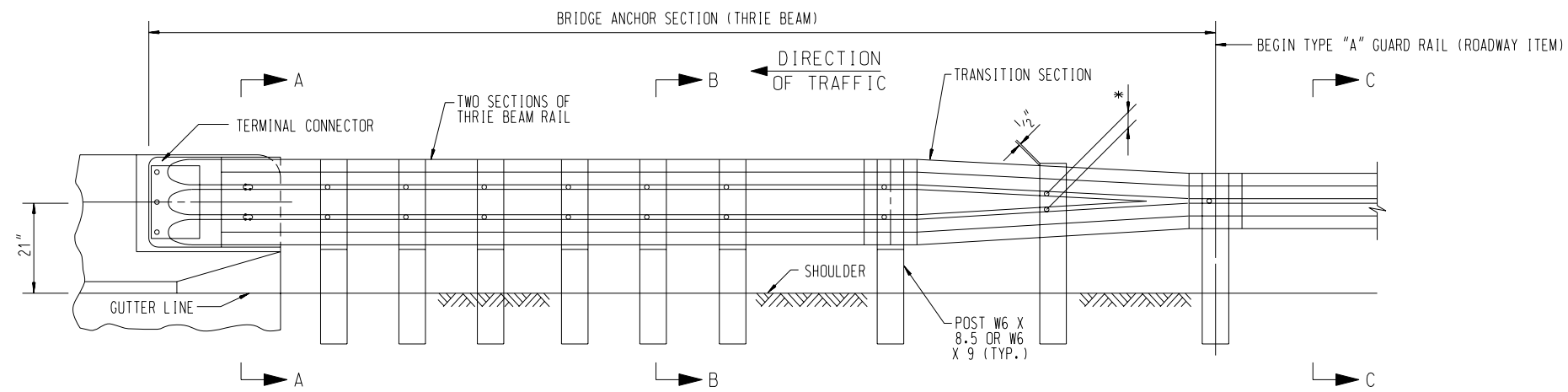


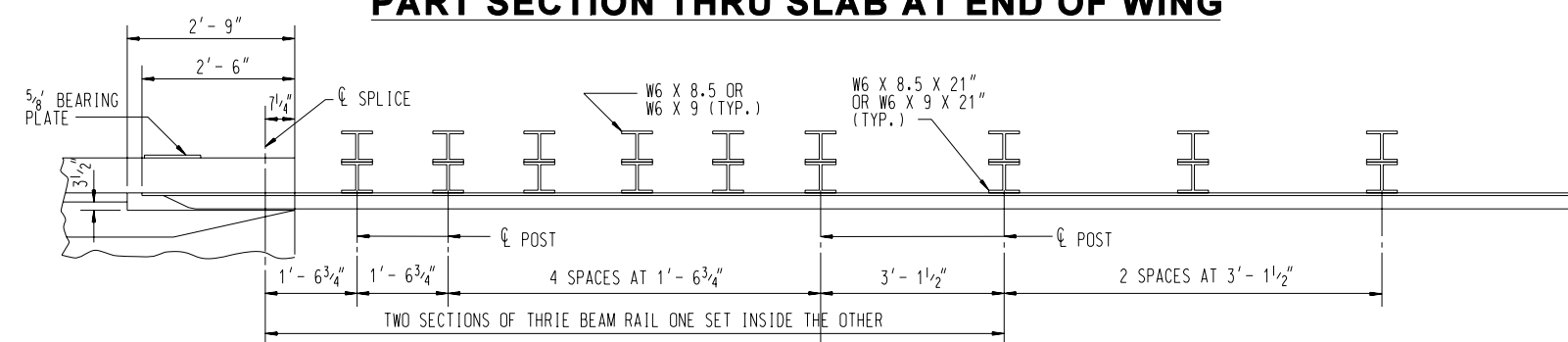
NEW	REVISIONS			
7-8-88	1-11-90	7-22-92	10-25-04	7-31-07

ST. LOUIS COUNTY PROJ.

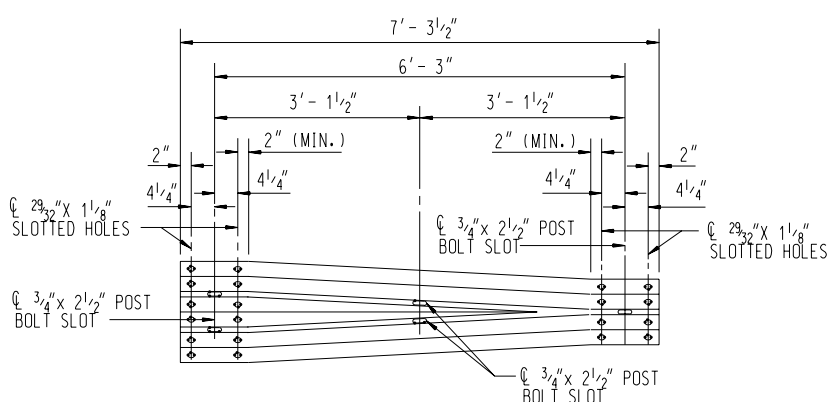
SHEET NUMBER	TOTAL SHEETS



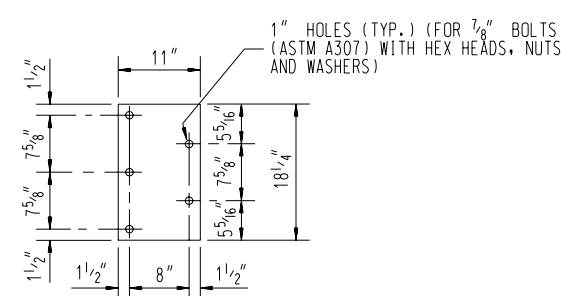
PART SECTION THRU SLAB AT END OF WING



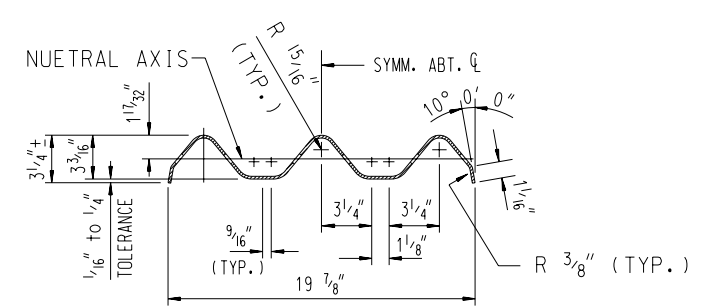
PLAN



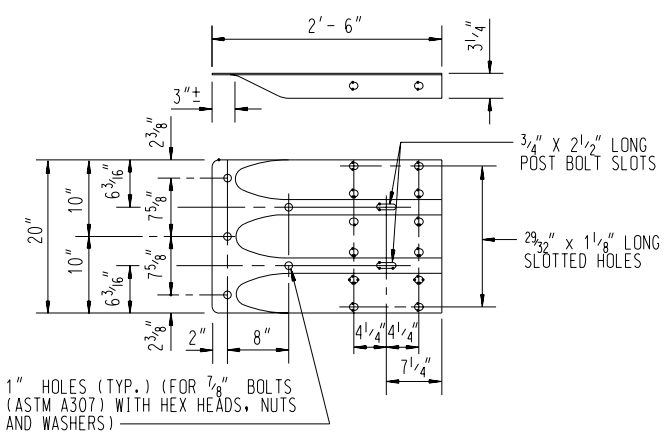
TRANSITION SECTION



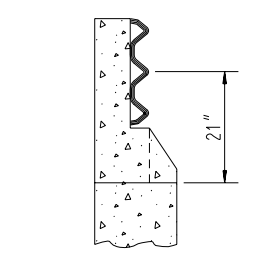
5/8" BEARING PLATE



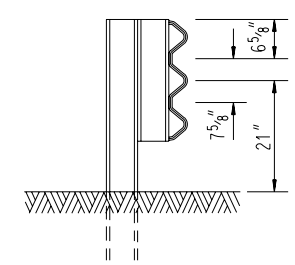
SECTION THRU THRIE BEAM RAIL



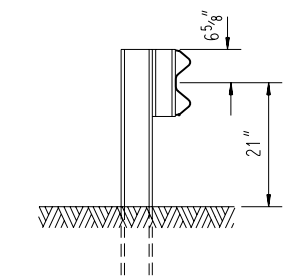
TERMINAL CONNECTOR



SECTION A-A



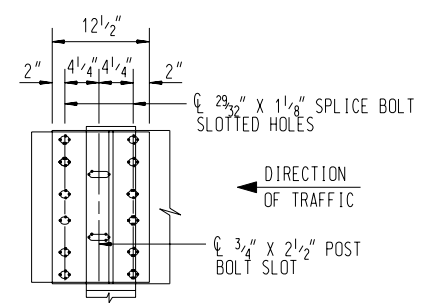
SECTION B-B



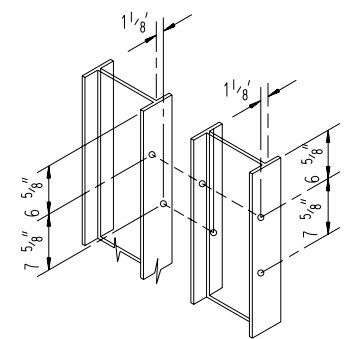
SECTION C-C

GENERAL NOTES

1. Do not scale drawing. Follow dimensions.
2. The Thrie Beam Rail, Terminal Connector and Transition Section for the Bridge Anchor Section shall be made of steel and shall be 12 gage. Zinc coating shall be Type 2.
3. For protective coating and material requirements, see Section 1040 of the Saint Louis County Standard Specifications.
4. Rail posts shall be set perpendicular to the roadway profile grade and vertically in cross section.
5. Washers shall be used at all post bolts (between bolt head and beam). They shall be rectangular in shape (3" x 1 1/4" x 3/16" min.) and flat, or when necessary of such design as to fit the contour of the beam. Washers shall have a 1 1/16" x 1" slotted hole.
6. Use 5/8" Button-Head, Oval Shoulder Bolts with Hex Nuts at all slots. (Thickness of Hex Nuts = 3/8".)
7. The Bearing Plate shall be fabricated from A36 steel and galvanized.
8. ALL LAP SPLICES, INCLUDING TERMINAL CONNECTORS, SHALL BE MADE IN THE DIRECTION OF TRAFFIC.
9. For Guard Rail requirements refer to the Construction Details for "Guard Rail," Standard Drawing C606.01.
10. (*) Verify by Rail Transition Producer.
11. The details shown are adapted from the Missouri Department of Transportation Standard Drawings.



THRIE BEAM RAIL SPLICE AT POST



(ALL HOLES 13/16" DIAMETER)

HOLE PUNCHING DETAILS (FOR STEEL POSTS & BLOCKS)

SAINT LOUIS COUNTY
DEPARTMENT OF HIGHWAYS AND TRAFFIC
CLAYTON, MISSOURI

GUARDRAIL CONSTRUCTION DETAILS
BRIDGE ANCHOR SECTION
(SAFETY BARRIER CURB)

REVISION DATE: July 31, 2007

DRAWING
C606.22